

8338LSTN Baseball Controller Plate

Scoreboard Type: 500

Power Supply Outputs:

POWER 1 (Quad):

P1.1 ≈ .5A P1.2 ≈ 3.90A

P1.3 ≈ 2.60A P1.4 ≈ 2.60A

POWER 2 (Quad):

P2.1 ≈ 3.87A P2.2 ≈ 3.87A

P2.3 ≈ 3.87A P2.4 ≈ 3.87A

POWER 3 (Quad):

P3.1 ≈ 3.87A P3.2 ≈ 2.90A

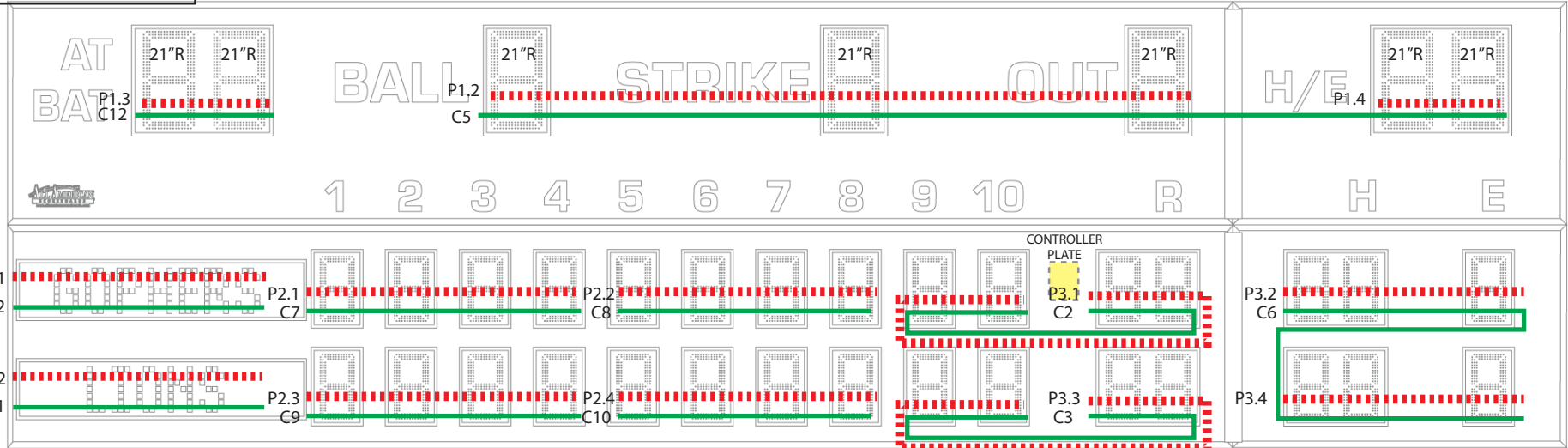
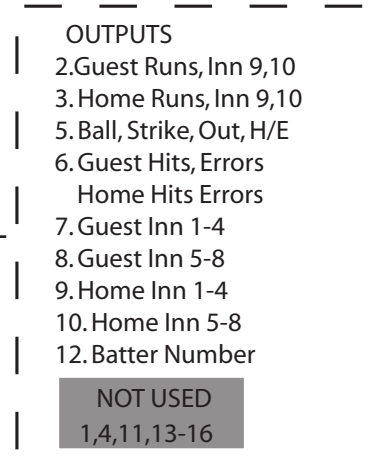
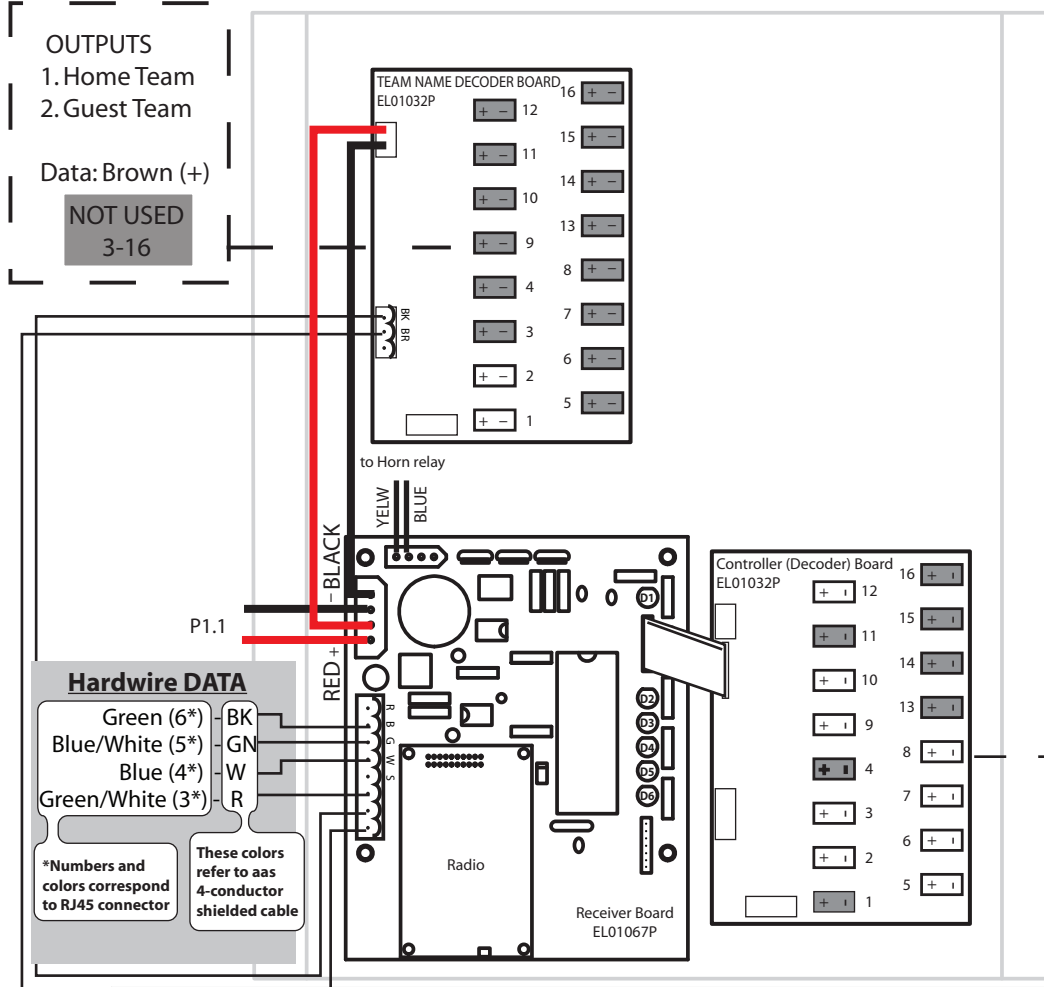
P3.3 ≈ 3.87A P3.4 ≈ 2.90A

POWER 4 (Dual - by team names):

P4.1 ≈ 3.75A P4.2 ≈ 3.75A

"C" refers to controller board output. If Indicators are used, C4 data will go to the Indicator Driver Board and then to the digit(s).

"TN" refers to the team name board output.



All Digits in lower panels are 14"Red. — = DATA - - - - - = 10.5VDC POWER

115 VAC / 60 Hz - 11.5 Amps