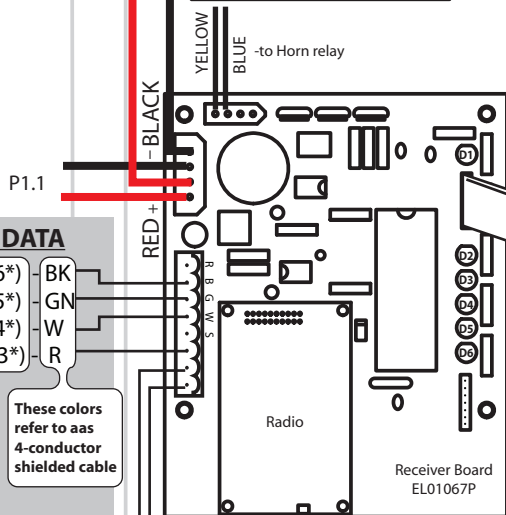
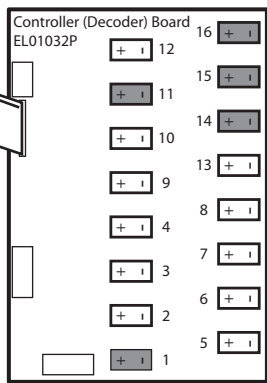
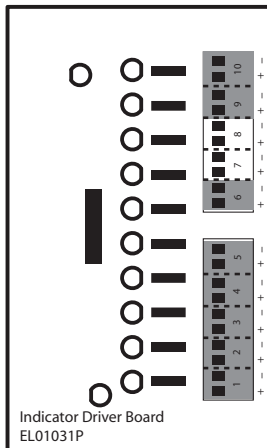
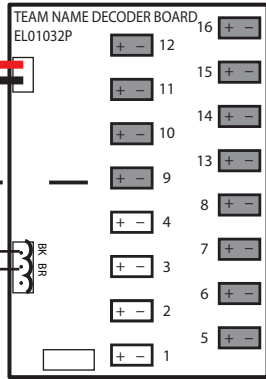


OUTPUTS

1. Home Team (top)
2. Home Team (bottom)
3. Guest Team (top)
4. Guest Team (bottom)

Data: Brown (+)

NOT USED
5-16



Hardwire DATA

- Green (6*) BK
 - Blue/White (5*) GN
 - Blue (4*) W
 - Green/White (3*) R
- *Numbers and colors correspond to RJ45 connector
- These colors refer to aas 4-conductor shielded cable

OUTPUTS

7. Hit
8. Error

NOT USED
1-6,9,10

OUTPUTS

2. Guest Runs, Inn 9,10
3. Home Runs, Inn 9,10
4. Indicators
5. Ball, Strike, Out
6. Guest Hits, Errors
Home Hits Errors
7. Guest Inn 1-4
8. Guest Inn 5-8
9. Home Inn 1-4
10. Home Inn 5-8
12. Batter
13. Speed Pitch

NOT USED
1,11,14-16

8341LSTN Baseball Controller Plate

Scoreboard Type: 500

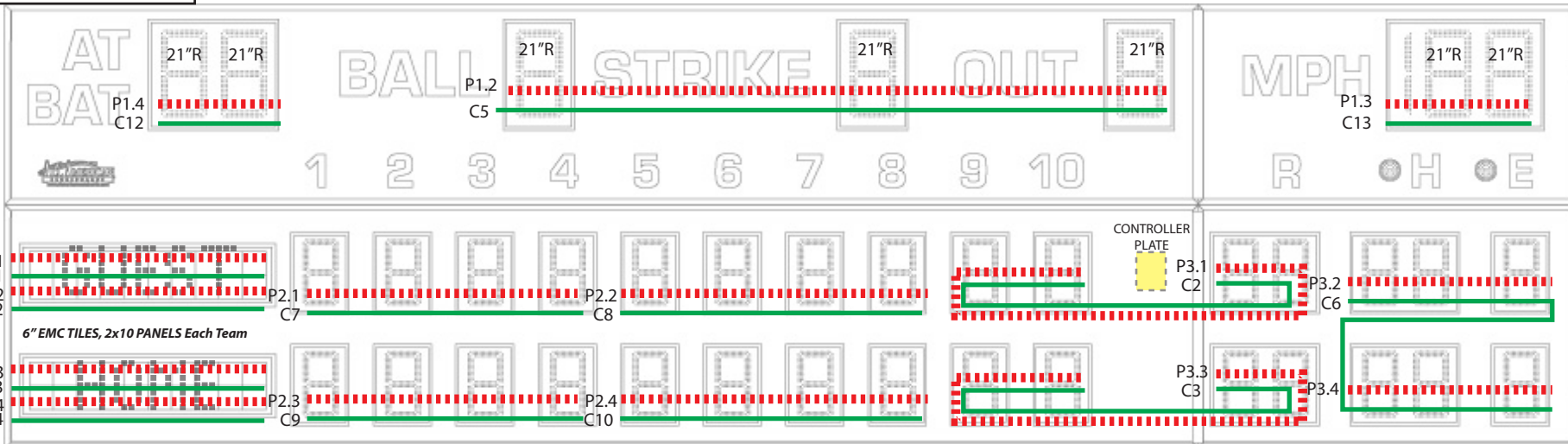
Power Supply Outputs:

- POWER 1 (Quad):
 P1.1 ≈ 0.66A P1.2 ≈ 3.90A
 P1.3 ≈ 2.60A P1.4 ≈ 2.60A
- POWER 2 (Quad):
 P2.1 ≈ 4.38A P2.2 ≈ 4.38A
 P2.3 ≈ 4.38A P2.4 ≈ 4.38A
- POWER 3 (Quad):
 P3.1 ≈ 4.38A P3.2 ≈ 3.28A
 P3.3 ≈ 4.38A P3.4 ≈ 3.28A
- POWER 4 (Quad):
 P3.1 ≈ 4.00A P3.2 ≈ 4.00A
 P3.3 ≈ 4.00A P3.4 ≈ 4.00A

"C" refers to controller board output. If Indicators are used, C4 data will go to the Indicator Driver Board and then to the digit(s).

"TN" refers to the Team Name Decoder Board.

Requires Receiver Program 210E or greater.



All Digits in lower panels are 16" Red. — = DATA - - - - - = 10.5VDC POWER

115 VAC / 60 Hz - 12.0 Amps